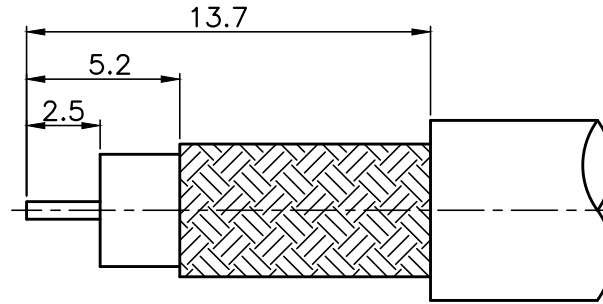
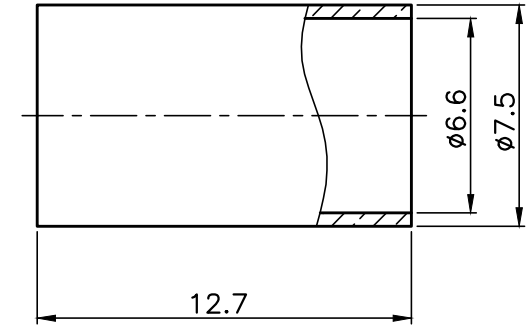
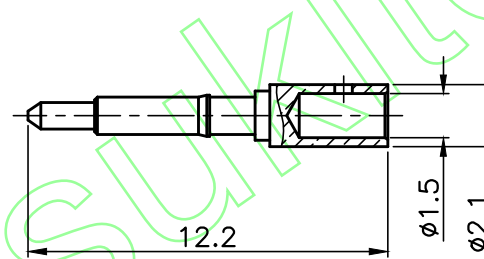
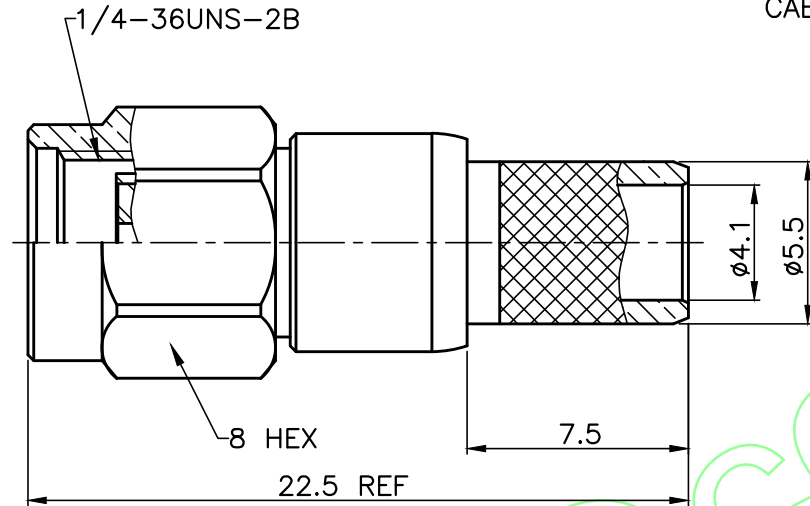


REVISIONS		
ISS	DESCRIPTION	DATE



RoHS COMPLIANT

RECOMMENDED
CABLE STRIPPING DIM'S



1. CRIMPED FERRULE
HEX CRIMP SIZE .255"
2. CRIMPED CONTACT PIN
HEX CRIMP SIZE .068"

CONNECTORS CABLES



SPECIALISTS LTD.

APRD:	UNLESS OTHERWISE SPECIFIED TOLERANCES 0.5-6 = ±0.2 >6-30 = ±0.4 >30-120 = ±0.6 >120-315 = ±1 >315-1000 = ±1.6 ANGLES = ±5°	FERRULE	BRASS	GOLD
CHKD:		CONTACT PIN	BRASS	GOLD
DR:		SHELL	BRASS	GOLD
		C RING	STAINLESS	NONE
		GASKET	SILICONE	RED
		CABLE BODY	BRASS	GOLD
		INSULATOR	TEFLON	WHITE
		BODY	BRASS	GOLD
		NO. DESCRIPTION	MATERIAL	FINISH

TITLE: SMA MALE CRIMP (FOR LMR 240)

PART NO: SMAPCR240

055

DATE: 08/24/17"

UNIT: mm

DRAWING NO:

SCALE: 4/1